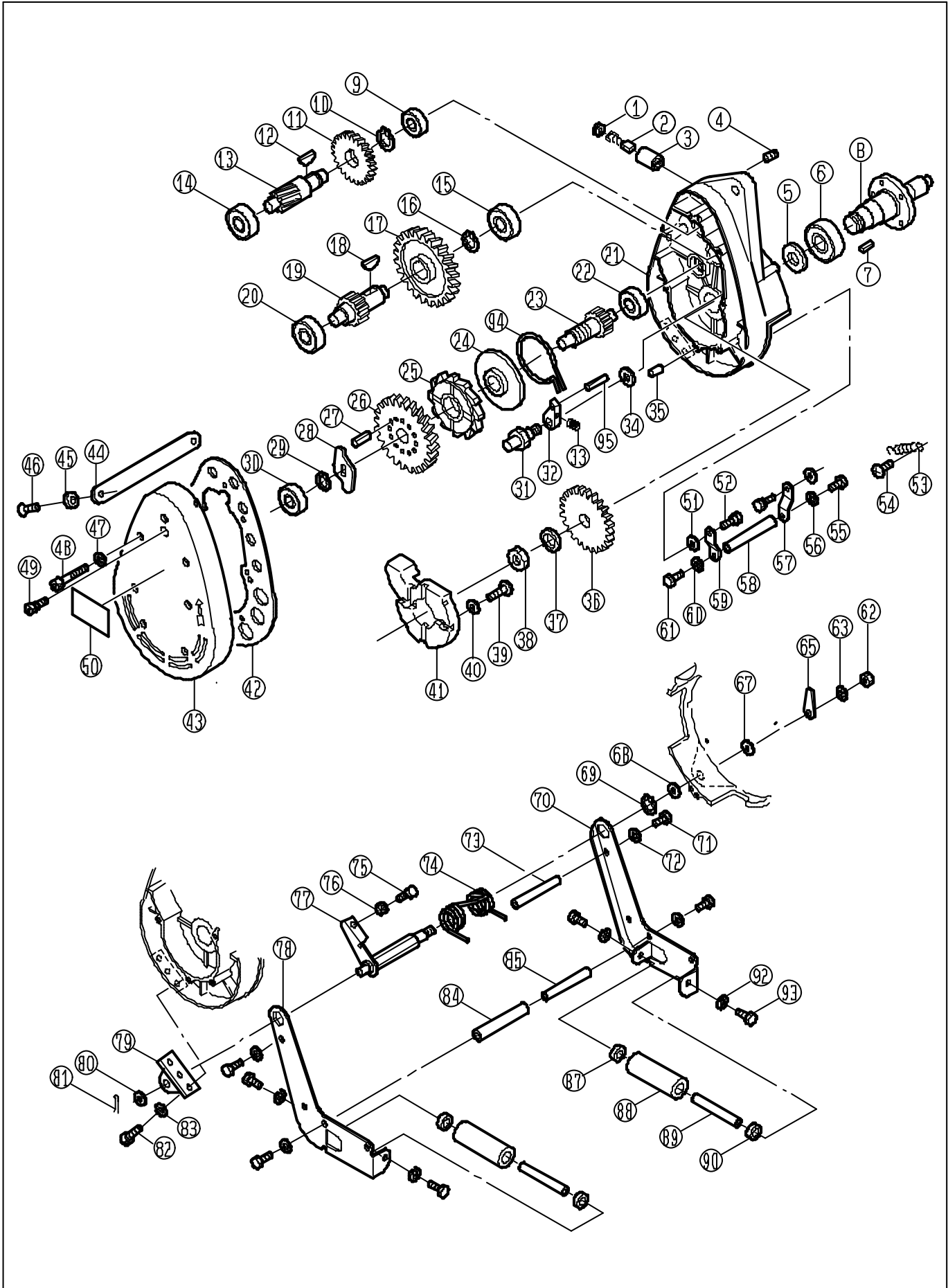


# WINCH

## WI-195



# WINCH

## WI-195

